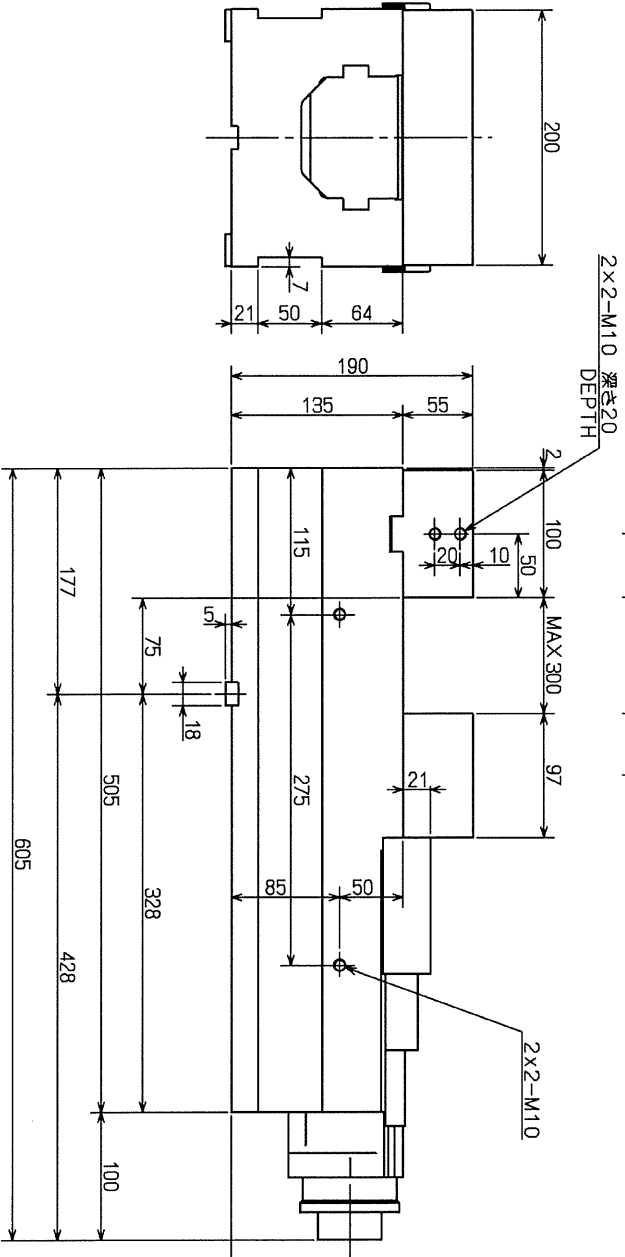
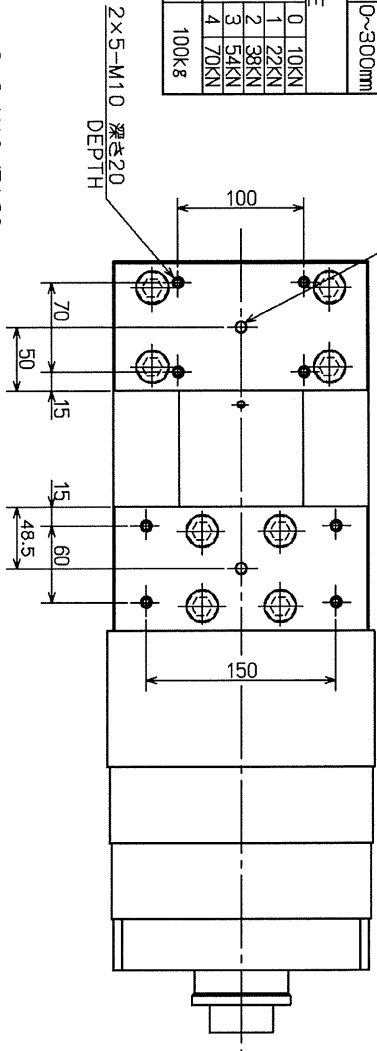
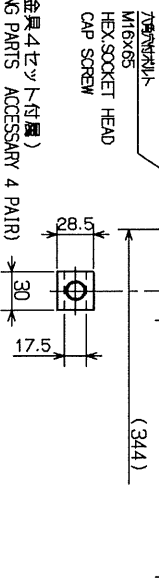


仕様 SPECIFICATIONS	
口金調整 CLAMPING RANGE	0~300mm
締めトルク TIGHTENING TORQUE	0 10KN 1 22KN 2 38KN 3 54KN 4 70KN
締めトルク CLAMP RANGE	
製品質量 MASS OF POWER VISE	100kg

(吊りボルト用)
(EYE BOLT)



(押込み金具4セット付属)
(CLAMPING PARTS ACCESSARY 4 PAIR)



CAREER	MANAGER	CHIEF	DRAWN BY	SCALE	TYPE	WEIGHT
				1:4	VOX200N	K3
			DATE	3RD ANGLE	NAME	
					VOX200N 力付	
KITAGAWA IRON WORKS CO., LTD.					VOX200N OUTSIDE VIEW	
				DRW NO.	61M:39:6409	

パワーバイス
POWER VISE