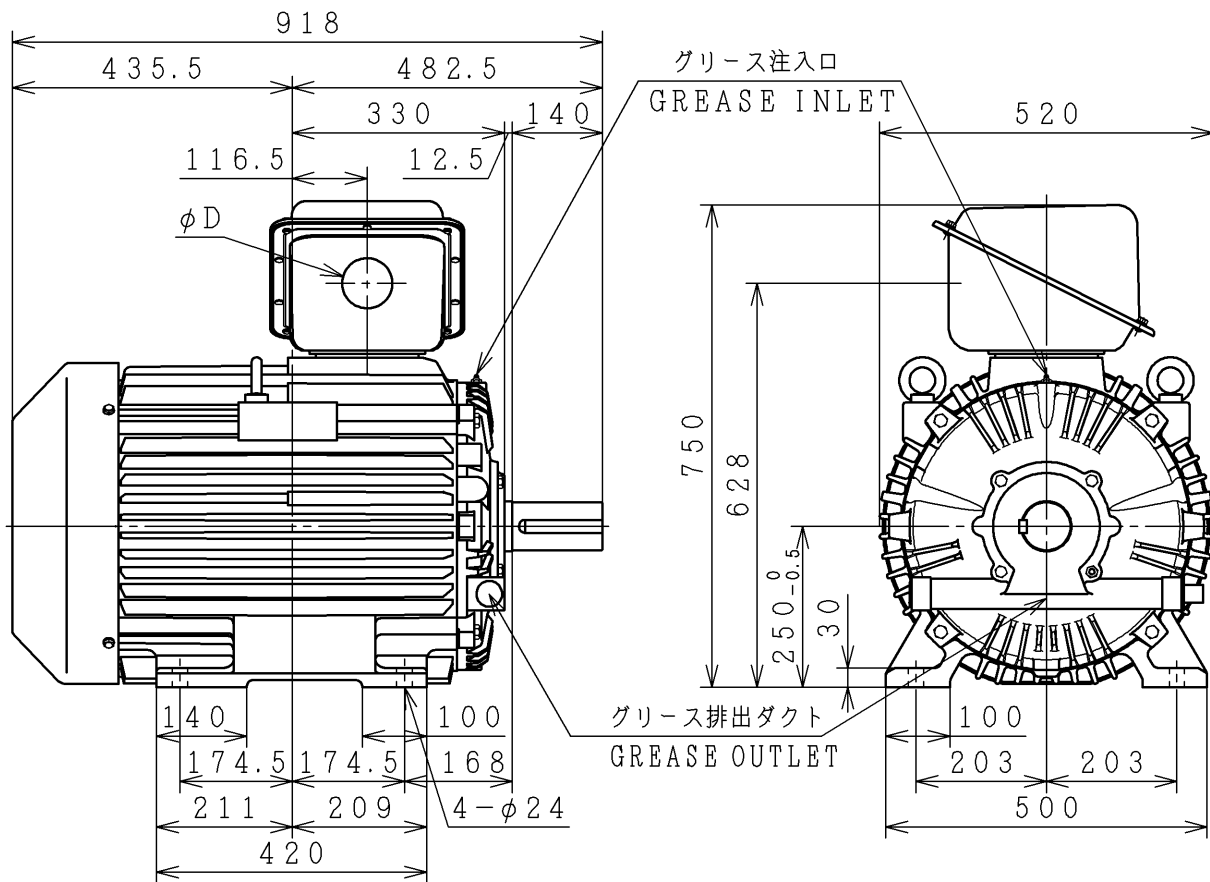
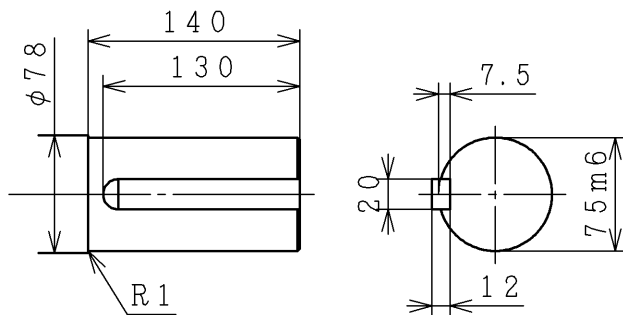


三相誘導電動機 THREE-PHASE INDUCTION MOTOR

| 出力<br>OUTPUT (kW) | 形<br>TYPE | 式<br>FORM | 定格<br>RATING | 電圧<br>VOLTAGE (V) | 周波数<br>FREQ. (Hz) | 同期回転速度<br>SYNC. SPEED (min <sup>-1</sup> ) | 極数<br>POLES | 耐熱クラス<br>TH. CLASS | 質量<br>MASS (kg) |
|-------------------|-----------|-----------|--------------|-------------------|-------------------|--|-------------|--------------------|-----------------|
|                   |           |           |              |                   |                   |  |             |                    |                 |
| 適用規格 (RULE)       |           |           |              | 効率クラス (IE CODE)   |                   |  |             |                    |                 |



|    |    |
|----|----|
| φD | 36 |
| φD | 45 |
| φD | 52 |
| φD | 65 |
| φD | 78 |
| φD | 92 |



|                   |              |             |
|-------------------|--------------|-------------|
| 保護方式 (PROTECTION) | 塗装色 (COLOR)  | PROJECTION  |
| 軸受 (BRG.)         | 反負荷側 (O. S.) | 負荷側 (D. S.) |

用途 USE \_\_\_\_\_ 付属品 ACCESSORY \_\_\_\_\_

備考 NOTICE

|               |         |                |               |      |
|---------------|---------|----------------|---------------|------|
| 御注文主 CUSTOMER | 数量 QTY. | 受注番号 ORDER No. | 作業番号 WORK No. | REV. |
| 殿             |         |                |               | 1    |

|                 |             |                   |  |   |     |
|-----------------|-------------|-------------------|--|---|-----|
| DWN. K. Hirata  | Feb-27-2020 | 寸法図<br>DIMENSIONS | Hitachi<br>Industrial Equipment<br>Systems Co., Ltd. | NARASHINO WORKS DWG. No.<br>3244R864655 | SH. |
| CHKD. T. Takeda | Mar-12-2020 |                   |  |   |     |
| APPD. T. Takeda | Mar-12-2020 |                   |  |   |     |

枠番 FRAME SIZE TFOL-250M

