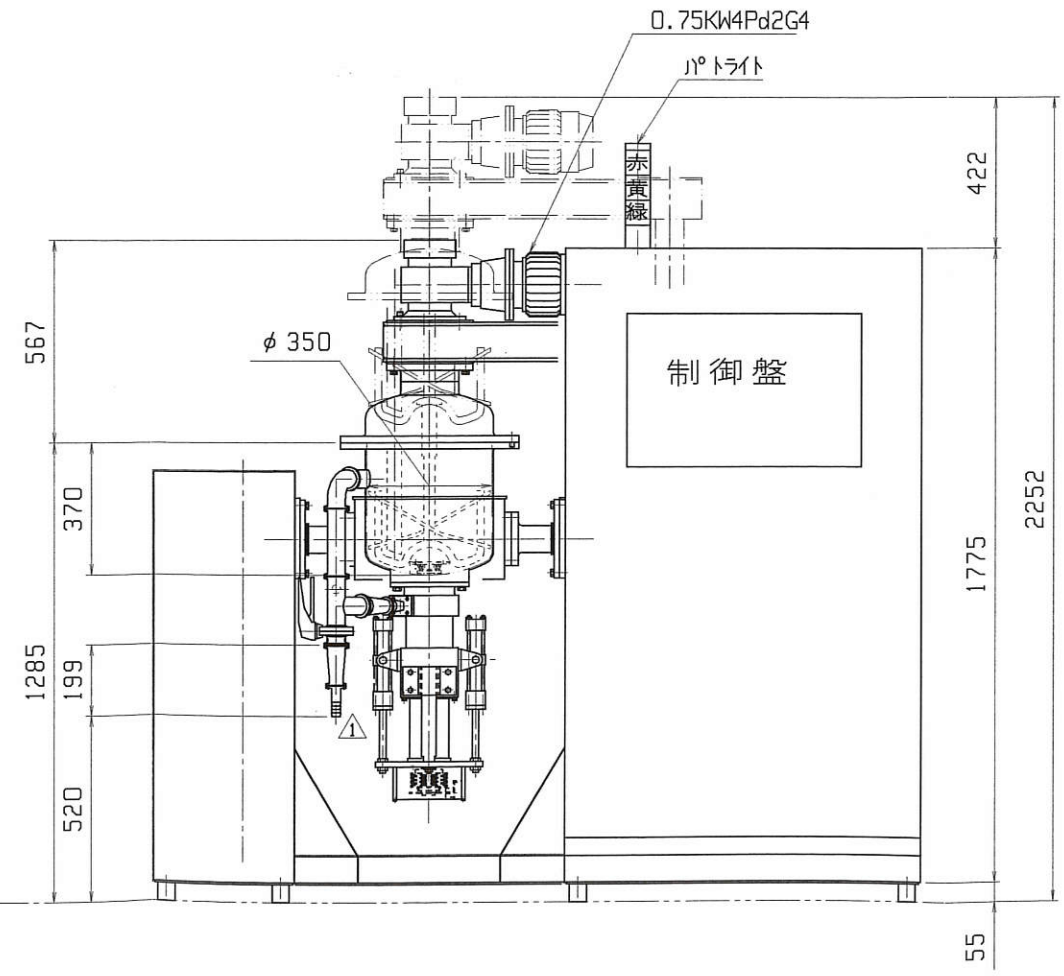
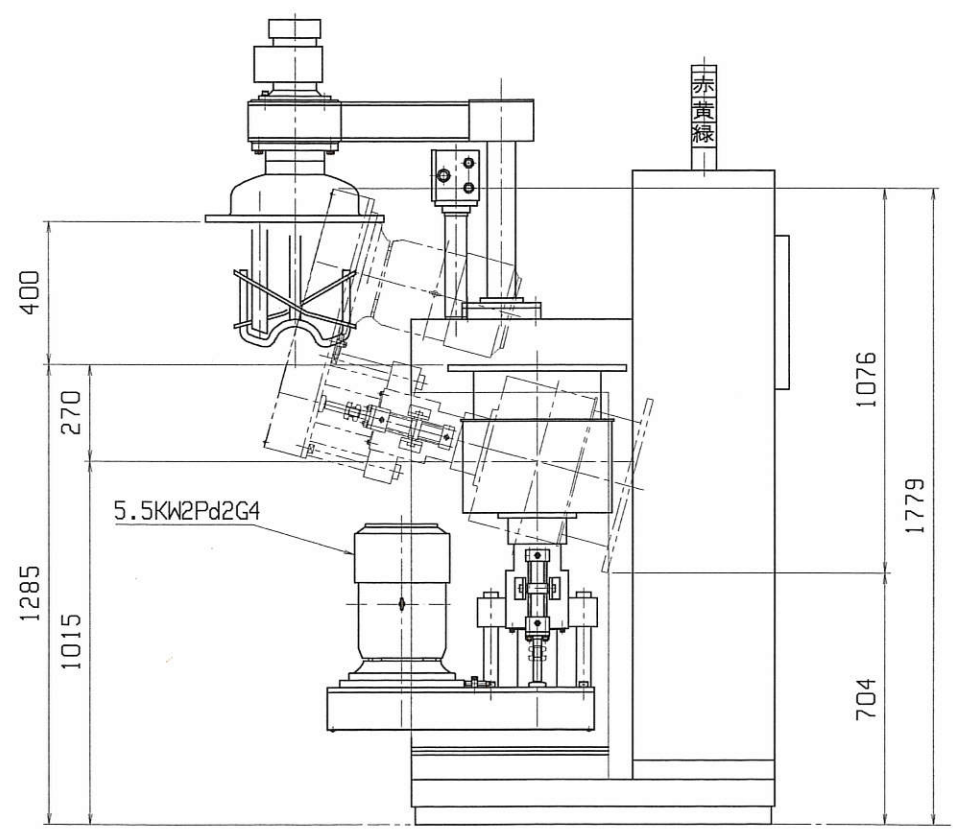
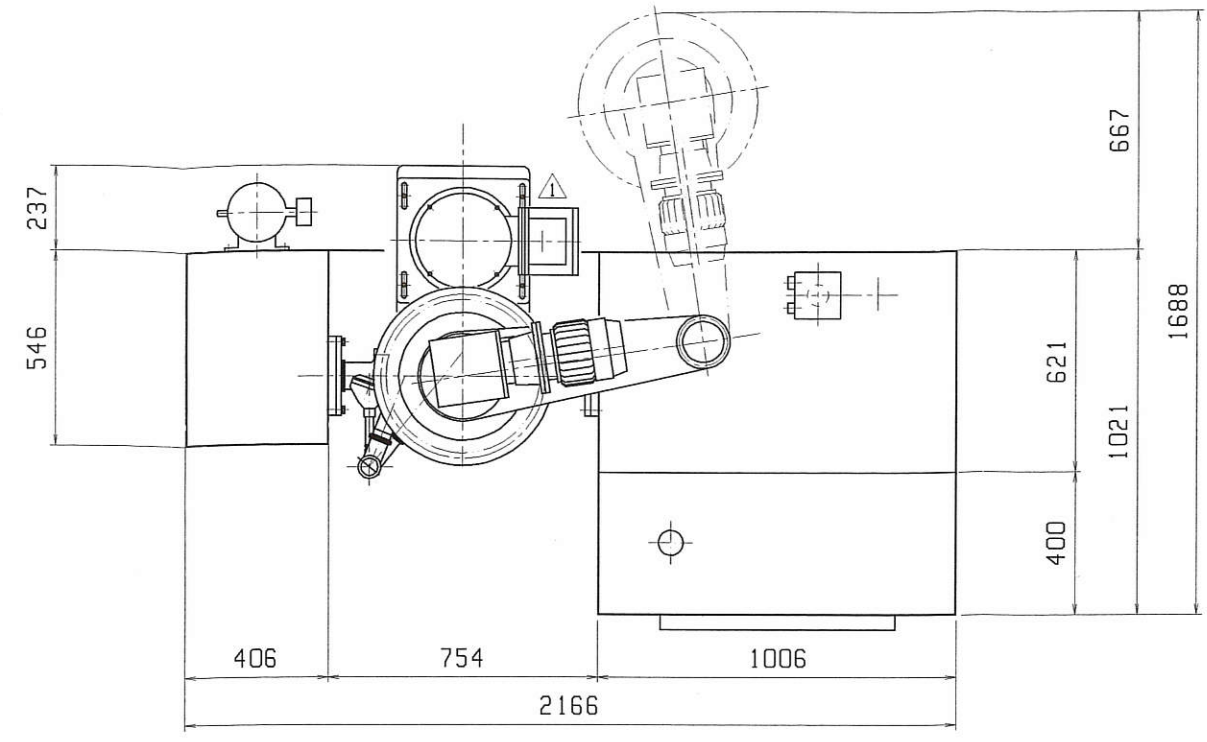


NO.	PARTS NAME	MATERIAL	Q'TY	NOTE
-----	------------	----------	------	------



SYMBOL	DATE	REVISION
△ ×	..	
△ ×	..	
△ ×	..	
△ ×	..	
△ ×	05.11.09	リターン配管部客先要望修正、モーター端子箱向変更


POVREX CORPORATION
 OSAKA • TOKYO • JAPAN

SCALE:	1/15	DIMENSIONS IN	mm
DRAWING DATE	2005/8/26	TITLE:	SRM-25型
APPROVED BY		CHECKED BY	

全体組立図